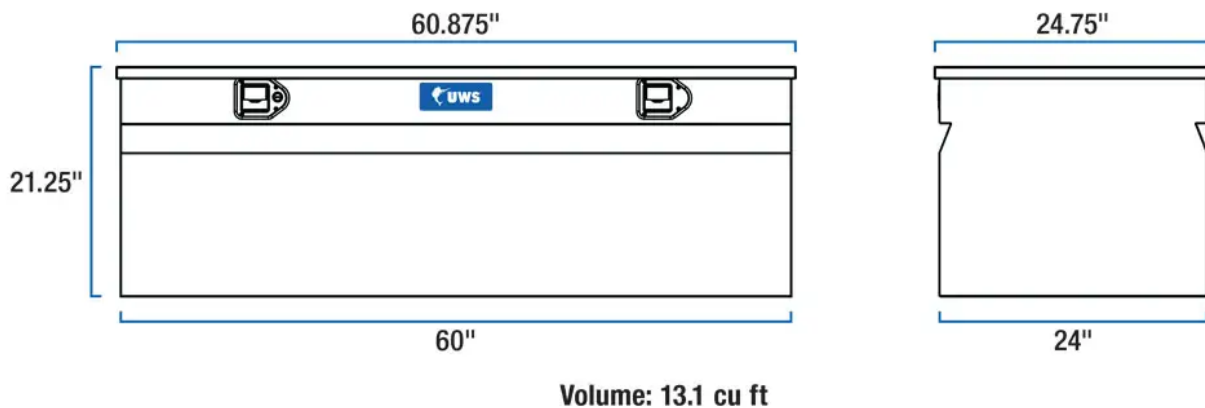


BEECN Mark I boxes are model UWS TBC-60

- Offers highly secure storage of tools, equipment or personal items
- Patented RigidCore foam-filled lid to maximize strength and prevent binding
- 0.058" extra-thick, one-piece aluminum tub holds heavy tools and cargo
- Stainless steel lock handles for security and corrosion-resistant operation
- Connecting rod allows for convenient operation from driver or passenger side
- Interior rod enclosure helps prevent bending or jamming of lock system
- MicroSeal gasket helps seal out moisture, dust and dirt
- Lid self-opens to 90 degrees for convenient operation and loading
- Assembled in USA



Chest boxes come with adjustable strikers. If the strikers are ever out of alignment, simply loosen, adjust and re-tighten.

Periodically lubricate the strikers and locks to ensure optimum performance.



